

ALL  
BRITISH  
COMPANY

# EXTENDED-HUB ELECTROMAGNETIC CLUTCHES

FOR PULLEY, CHAINWHEEL,  
SPUR GEAR OR FLEXIBLE COUPLING

DATA  
SHEET  
SIZE  
**S800EH**

MAXIMUM STATIC TORQUE 122 Nm. 90 lb. ft.

## EXTENDED HUB CLUTCHES

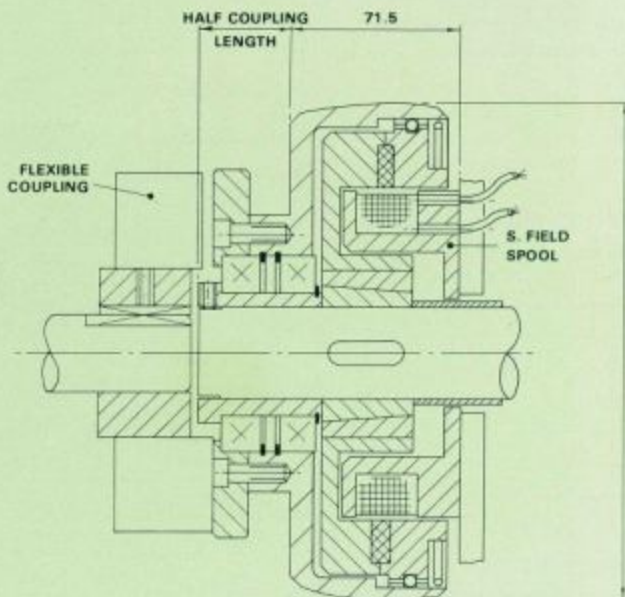
### Advantages

- Clark Clutches are self-adjusting throughout their life - no maintenance.
- Clutch uses existing machine frame for support - reduced cost.

These clutches are supplied with specified Pulley or Chainwheel etc., already fitted.

The design can accommodate Vee Pulleys, Timing Belt Pulleys, Chainwheels or Spur gears, or flexible couplings for in-line drives.

They provide an alternative method of automatic transmission where it is required to drive into or from a shaft. The input drive may be to pulley or shaft.



S800EH CLUTCH WITH FLEXIBLE COUPLING FOR IN-LINE DRIVE

In common with the S800 clutch-coupling, the Pulley Clutch is recommended for use where a support for the Clutch field spool already exists i.e. where a shaft emerges from the side frame of a machine or casting.

DATA  
SHEET  
SIZE  
**S800EH**

**EXTENDED-HUB  
ELECTROMAGNETIC  
CLUTCHES**  
FOR PULLEY, CHAINWHEEL,  
SPUR GEAR OR FLEXIBLE COUPLING

ALL  
BRITISH  
COMPANY

### Field Spool Location

For best results it is necessary to accurately locate the field spool either by providing a register to suit the OD of the spool as in Drg. A, or by use of a bearing worthy bush to suit the internal register and the shaft as in Drg. B.

It is also important to correctly locate the inner rotor in its axial position, see Drg. A, for setting up dimension. This is simplified by use of a spacer on the shaft fitted between the end of the inner rotor and passing through the field spool up to the shaft support bearing.

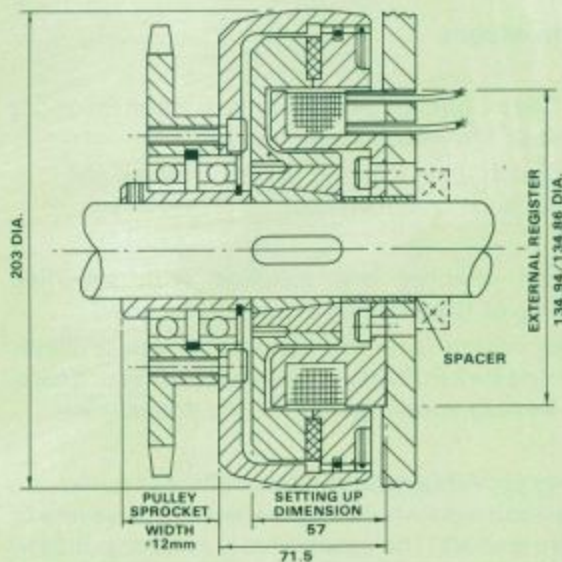
See S800 Clutch data sheet for full technical specification of clutch and dimensions of fixing holes and field spool registers and available bore sizes.

### Order Specification

- State ● Through shaft diameter.
- State ● Pulley PCD No. of grooves and belt section.  
or  
Chainwheel PCD and pitch for simple duplex or triplex chain.  
or  
Gearwheel details.

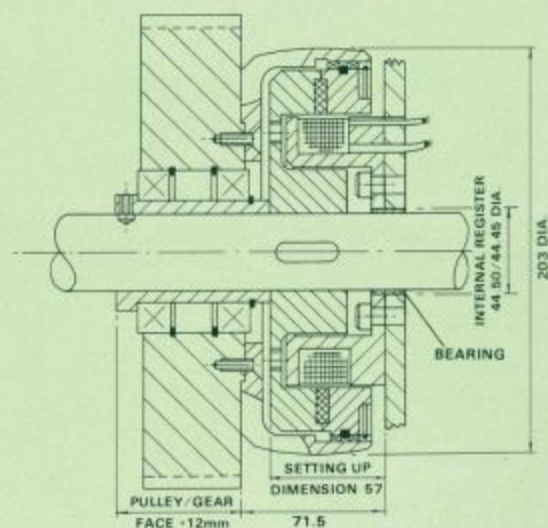
For pulleys under  $4\frac{3}{4}$ " - (120 mm) PCD, apply for details of maximum bore which can be accommodated.

Drg. A. using external Field Spool Register



CLUTCH WITH CHAINWHEEL

Drg. B. using internal Field Spool Register



CLUTCH WITH TIMING PULLEY

CLARK ELECTRIC CLUTCH AND CONTROLS Ltd

28 Victory Park, Trident Close, Medway City Estate, Rochester, Kent, ME2 4ER

Tel.: +44 (0)1634 297408 Fax.: +44 (0)1634 739136 e-mail: sales@clarkelectric.co.uk