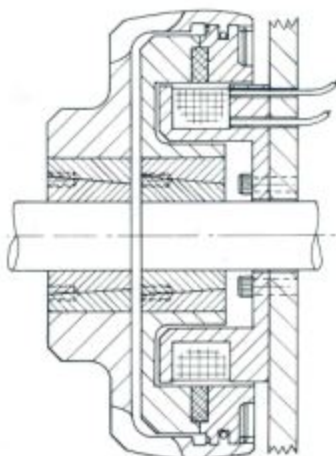


ALL
BRITISH
COMPANY

SELF-ADJUSTING ELECTROMAGNETIC CLUTCHES

DATA
SHEET
SIZE
S800

TORQUE 122 Nm. INPUT MAY BE TO EITHER END



Clutch H.P. rating

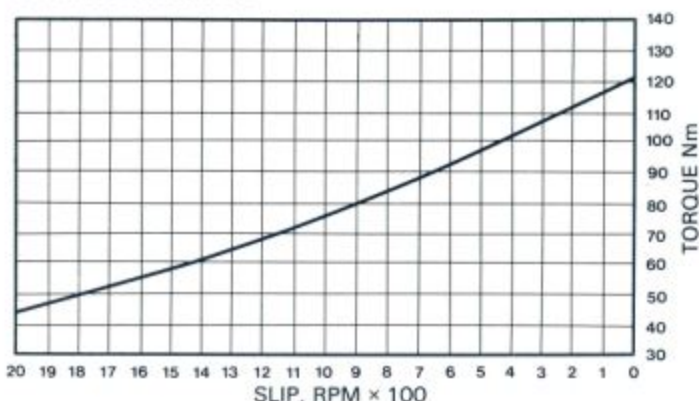
R.P.M. at Clutch shaft	Allowing for shock torque loads up to 250% of steady load occurring.	
	When load is up to speed	During the accelerating period
	H.P.	H.P.
100	0.686	0.658
200	1.372	1.250
300	2.058	1.810
400	2.744	2.280
500	3.430	2.750
600	4.116	3.160
700	4.802	3.470
800	5.488	3.800
900	6.174	4.060
1000	6.860	4.280
1250	8.575	4.680
1440	9.880	4.840
2000	13.720	5.040
2500	17.150	5.050

General Specification

Maximum Static Torque	: 122 Nm (90lb.ft.)
Standard Voltage	: 24 Volts D.C.
Rated Continuous Current	: 1.34 amps.
Resistance (20°C)	: 17.85 Ohms
Other Voltages Available	: 6, 12, 50, 90 & 180 Volts.
Maximum Speed	: 3600 R.P.M.
Maximum Heat Dissipation (Slipping)	
Input Speed	500 r.p.m.: 20.000 Nm/min (14.700 ft.lb./min)
	1000 r.p.m.: 30.600 Nm/min (22.500 ft.lb./min)
	1500 r.p.m.: 41.100 Nm/min (30.200 ft.lb./min)
	3000 r.p.m.: 71.700 Nm/min (52.700 ft.lb./min)
Weight	: 10.6kg (23.5lbs)

Torque: Slip characteristic

i.e. Gives torque at moment of engagement
and as load is accelerated.



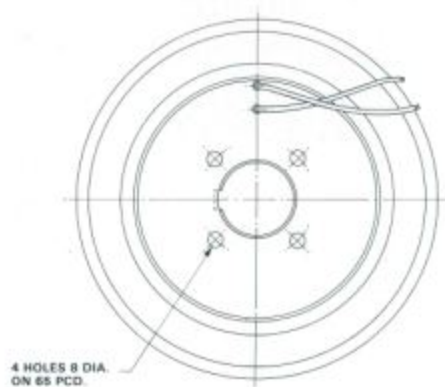
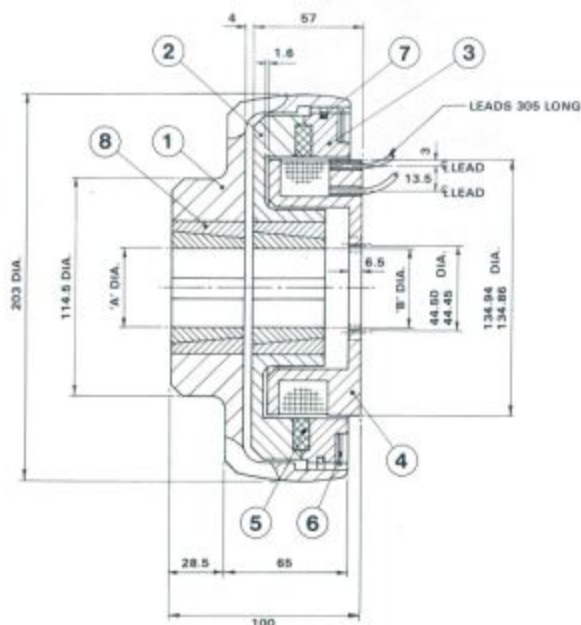
**DATA
SHEET**

**SIZE
S800**

**SELF-ADJUSTING
ELECTROMAGNETIC
CLUTCHES**

**ALL
BRITISH
COMPANY**

Consult the Installation sheet at the front of the catalogue for correct method of mounting.



STANDARD BORES

'A'DIA."	'B'DIA."	KEYWAY "
3/4	3/4	3/16 x 3/32
7/8	7/8	1/4 x 1/8
1	1	1/4 x 1/8
1 1/8	1 1/8	5/16 x 7/64
1 1/4	1 1/4	5/16 x 7/64
1 3/8	1 3/8	3/8 x 1/8
1 1/2	1 1/2	3/8 x 1/8
1 5/8	1 5/8	7/16 x 1/8

PARTS LIST

ITEM	PART No.	TITLE	No. OFF
1	581	OUTER MEMBER	1
2	4828	INNER ROTOR	1
3	4328	DRIVE RING	1
4	584	FIELD SPOOL	1
5	4330	FRICTION RING	1
6	729	SPRING CLIP	1
7	730	CUSHION RING	1
8	B586	TAPER BUSH ASSY.	2

METRIC SIZES (mm)

16	16	5 x 2.3
18 20	18 19 20 22	6 x 2.8
24 28	24 25 28 30	8 x 3.3
32 38	32 35 38	10 x 3.3
40	40 42	12 x 1.3

CLARK ELECTRIC CLUTCH AND CONTROLS Ltd

28 Victory Park, Trident Close, Medway City Estate, Rochester, Kent, ME2 4ER
Tel.: +44 (0)1634 297408 Fax.: +44 (0)1634 739136 e-mail: sales@clarkelectric.co.uk