

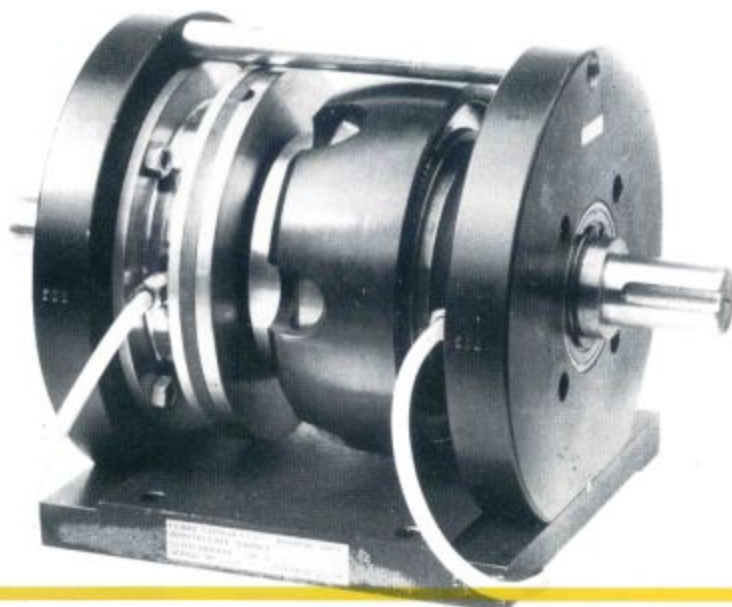
ALL
BRITISH
COMPANY

**COMPOSITE
ELECTROMAGNETIC
CLUTCHBRAKE**

**DATA
SHEET
MODEL
CB 600**

This Clutchbrake unit should be used with a Clark Power Unit type 6824/2 or 6824/2R or equivalent circuit.

- **TORQUE 61 Nm. 45lb.ft. MAXIMUM**
- **UP TO 5 H.P. AT 1440 R.P.M.**
- **CYCLE RATES CAN EXCEED 2000 STARTS/STOPS PER HOUR WHERE LOAD INERTIA PERMITS**
- **FULLY SELF-ADJUSTING NO MAINTENANCE REQUIRED**
- **CHOICE OF SHAFT DIAMETERS 1" or 28mm.**



The **Clark Composite Clutchbrake** unit is a combination assembly of the well proven **Clark model 600 Clutch and Brake**. Integral **input** and **output** shafts running in substantial sealed bearings reduce fitting to the ultimate in simplicity and low cost.

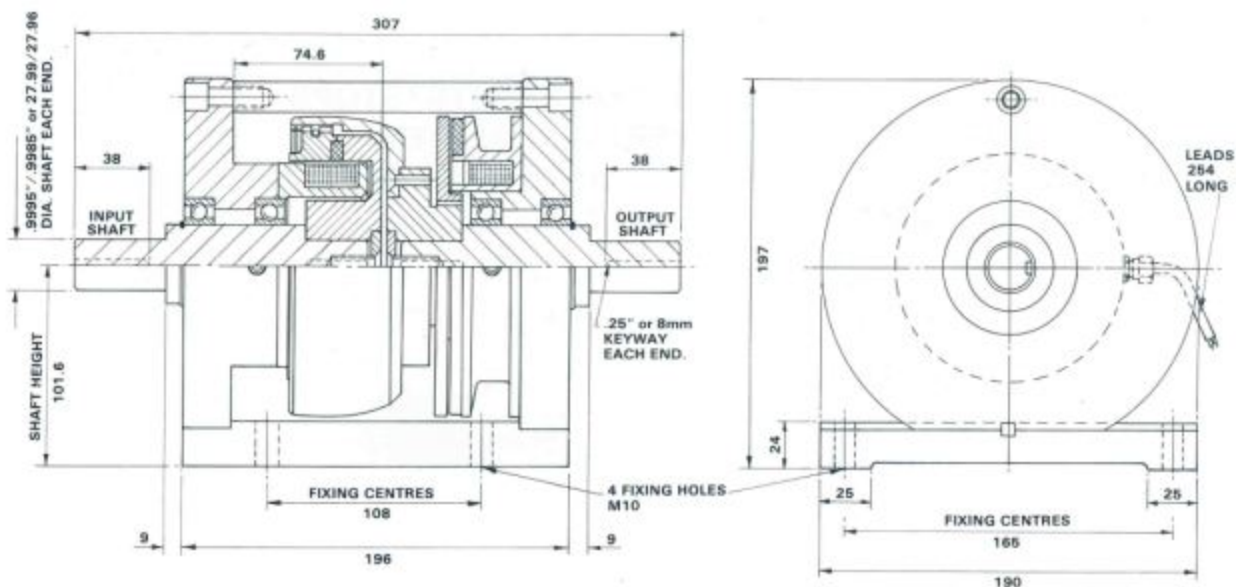
The Clutch and Brake torque may be fixed at maximum or preset to a reduced value. For exceptionally smooth starting, the **Clark Power Unit type 6824/2R** incorporates an inexpensive "**Silkstart**" electronic control which raises the **clutch** voltage from zero to 24V over a period which can be preset between $\frac{1}{4}$ second and 10 seconds. "**Boost**" circuits can provide very high acceleration and stopping rates i.e. for high cycle rate indexing drives.

Comprehensive applications advice from address overleaf.

**DATA
SHEET
MODEL
CB 600**

**COMPOSITE
ELECTROMAGNETIC
CLUTCHBRAKE**

ALL
BRITISH
COMPANY



General Specification

Maximum Static Torque : 61 Nm (45lb. ft.)
Maximum Speed : 3,000 r.p.m.
Standard Coil Windings : 24 volts D.C. 0.92 Amp.
26 Ohms. Continuously rated.
Other Voltages available : 6, 12, 50, 90 Volts D.C.
Weight : 18.1 Kg (40lb)
Maximum Heat
Dissipation (Slipping)

Input Speed 0-500 r.p.m. : 11,800 Nm/min (8,700 ft.lb./min)
1000 r.p.m. : 18,300 Nm/min (13,450 ft.lb./min)
1500 r.p.m. : 23,700 Nm/min (17,400 ft.lb./min)
3000 r.p.m. : 39,400 Nm/min (29,000 ft.lb./min)



CLARK ELECTRIC CLUTCH AND CONTROLS Ltd

28 Victory Park, Trident Close, Medway City Estate, Rochester, Kent, ME2 4ER
Tel.: +44 (0)1634 297408 Fax.: +44 (0)1634 739136 e-mail: sales@clarkelectric.co.uk