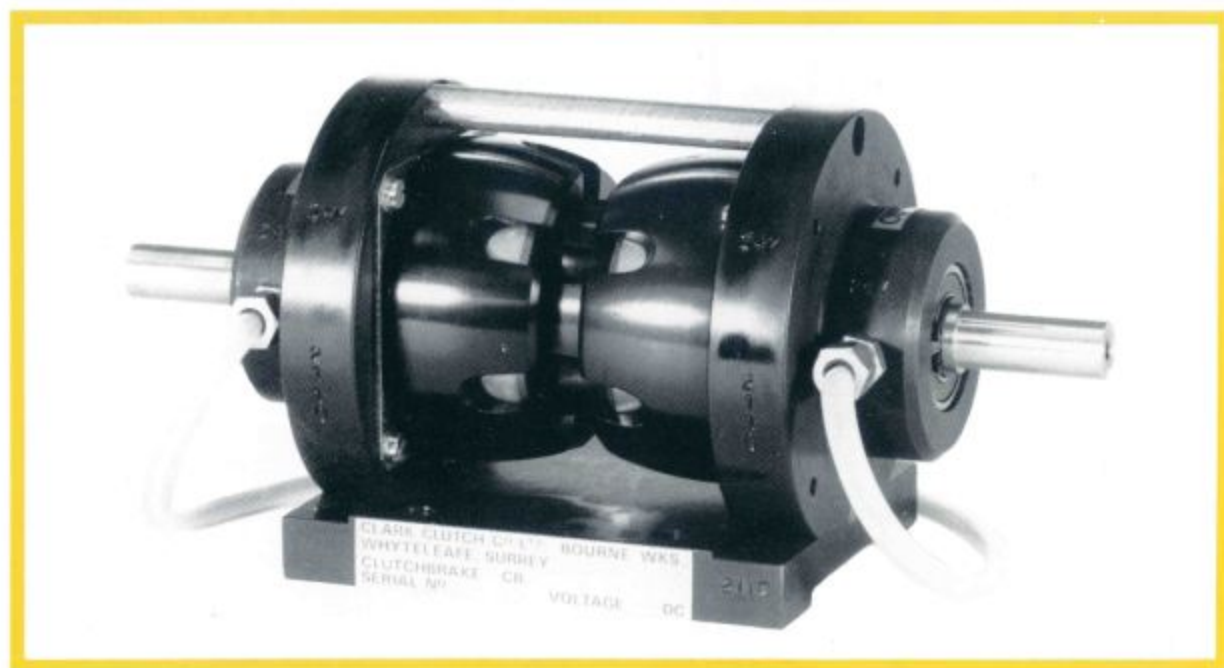


ALL  
BRITISH  
COMPANY

**COMPOSITE  
ELECTROMAGNETIC  
CLUTCHBRAKE**

**DATA  
SHEET  
MODEL  
CB 250**

- **TORQUE 5.6 Nm. (50lb.ins.) MAXIMUM.**
- **UP TO 1/2 H.P. AT 1440 R.P.M.**
- **CYCLE RATES CAN EXCEED 10,000 STARTS/STOPS PER HOUR WHERE LOAD INERTIA PERMITS.**
- **FULLY SELF-ADJUSTING NO MAINTENANCE REQUIRED.**
- **CHOICE OF SHAFT DIAMETERS 1/2" or 12mm.**



The **Clark Composite Clutchbrake** unit is a combination assembly of the well proven **Clark** model 250 **Clutch and Brake**. Integral **input** and **output** shafts running in substantial sealed bearings reduce fitting to the ultimate in simplicity and low cost. The unit requires **no maintenance** and is entirely **self-adjusting**.

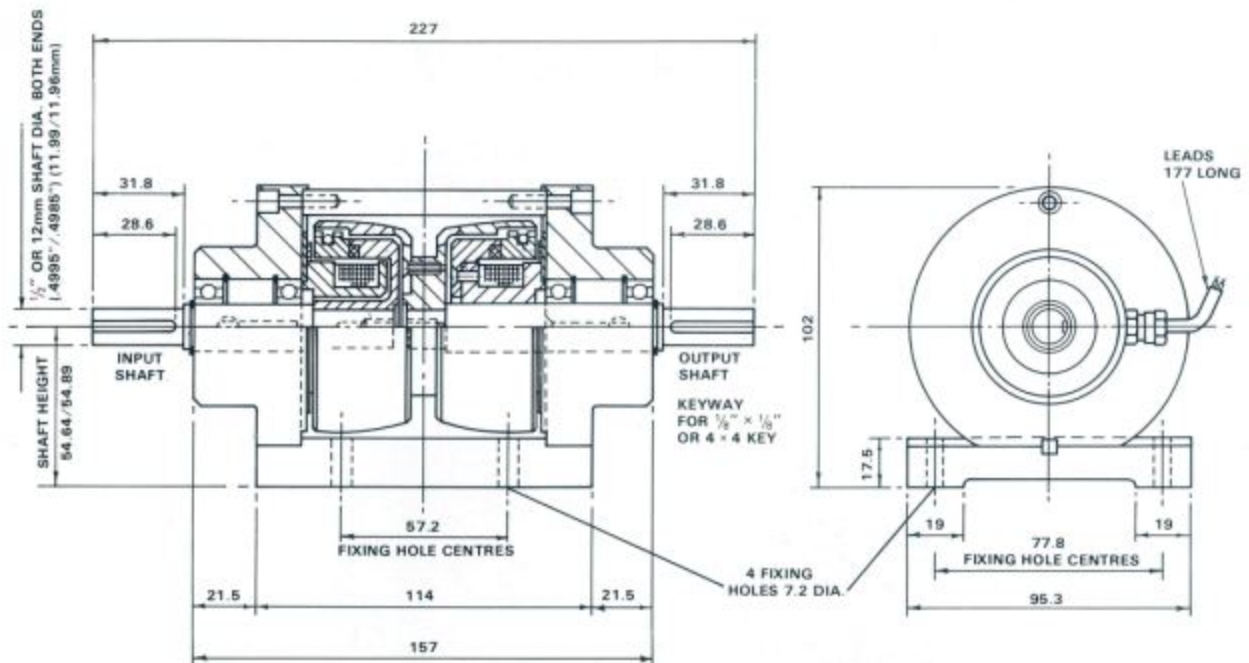
The Clutch and Brake torque may be fixed at maximum or preset to a reduced value. For exceptionally smooth starting, the **Clark Power Unit type 42SR** incorporates an inexpensive "**Silkstart**" electronic control which raises the **clutch** voltage from zero to 24V over a period which can be preset at between 1/4 second and 10 seconds. "**Boost**" circuits can provide very high acceleration and stopping rates i.e. for high cycle rate indexing drives.

Comprehensive applications advice from address overleaf.

**DATA  
SHEET  
MODEL  
CB 250**

**COMPOSITE  
ELECTROMAGNETIC  
CLUTCHBRAKE**

ALL  
BRITISH  
COMPANY



**General Specification**

Maximum Static Torque : 5.6 Nm (50lb. ins.).  
 Maximum Speed : 8,000 r.p.m.  
 Standard Coil Windings : 24 Volts D.C. 0.38 Amp.  
 64 Ohms. Continuously rated.  
 Other Voltages available : 6, 12, 50, 90 Volts D.C.  
 Weight : 2.72 Kg. (6lb)  
 Maximum Heat  
 Dissipation (Slipping)

Input Speed 0-500 r.p.m. : 1320 Nm/min (970 ft.lb/min)  
 1000 r.p.m. : 2000 Nm/min (1475 ft.lb/min)  
 1500 r.p.m. : 2450 Nm/min (1805 ft.lb/min)  
 3000 r.p.m. : 3070 Nm/min (2260 ft.lb/min)



**CLARK ELECTRIC CLUTCH AND CONTROLS Ltd**

28 Victory Park, Trident Close, Medway City Estate, Rochester, Kent, ME2 4ER  
 Tel.: +44 (0)1634 297408 Fax.: +44 (0)1634 739136 e-mail: sales@clarkelectric.co.uk