

ALL
BRITISH
COMPANY

MOTOR MOUNTED ELECTROMAGNETIC CLUTCHES

FOR PULLEY, CHAINWHEEL,
SPUR GEAR OR FLEXIBLE COUPLING

DATA
SHEET
SIZE
BM400EH

MAXIMUM STATIC TORQUE 23 Nm. (16 lb. ft.)

Will transmit available torque of 1.1 Kw motor at 1440 r.p.m. with 2.5 times overload factor.

MOTOR MOUNTED PULLEY CLUTCHES

Advantages

- One piece assembly direct to motor shaft.

These clutches are custom built to provide a remotely controlled automatic drive from the shaft of a motor or gearbox.

The assembly comprises a specified pulley or chainwheel etc, fitted to the clutch, bored and keywayed as required.

The assembly is fitted as a single unit and secured to the shaft with a set screw tapped into the end of the motor shaft. A restraint is also required for the torque arm.

The unit may be removed from the shaft by a jacking screw, the assembly being provided with a suitably threaded portion.

The arrangement has several advantages :

- It avoids the need to erect and support a motor shaft extension to accommodate the Clutch.
- The pulley etc. is positioned to be over the motor bearings so that the motor shaft and bearings are not overloaded.
- All Clark Clutches are self-adjusting for wear throughout their life.
- Softstart facility available where used with Clark Silkstart Acceleration Controller.



Torque: Slip characteristic

i.e. Gives torque at moment of engagement and as load is accelerated.

DATA
SHEET
SIZE
BM400EH

MOTOR MOUNTED ELECTROMAGNETIC CLUTCHES

FOR PULLEY, CHAINWHEEL,
SPUR GEAR OR FLEXIBLE COUPLING

ALL
BRITISH
COMPANY

MAXIMUM STATIC TORQUE 23 Nm. (16 lb. ft.)

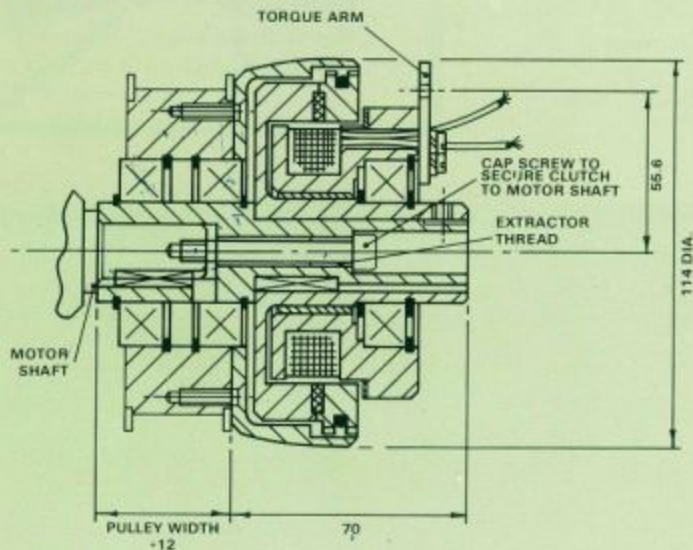
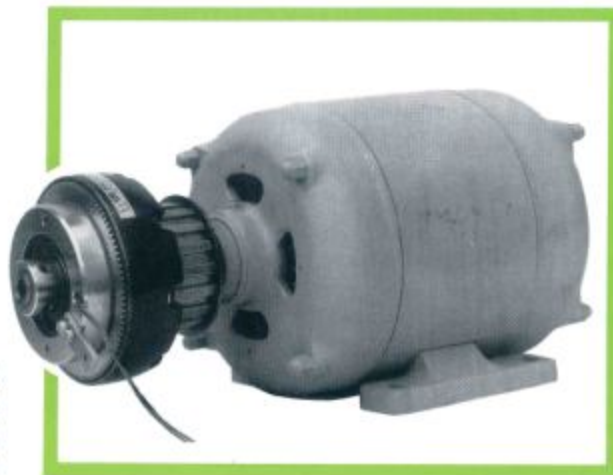
Will transmit available torque of 1.1 Kw motor at 1440 r.p.m. with 2.5 times overload factor.

General Specification

Maximum Static Torque : 23 N.m. (200lb. ins.)
Standard Voltage : 24 Volts D.C.
Rated Continuous Current: 0.70 amp.
Resistance (20°C) : 34 Ohms
Other Voltages Available : 6, 12, 50, 90 Volts D.C.
Maximum Speed : 6,250 R.P.M.
Maximum Heat
Dissipation (Slipping)

At various R.P.M.

500 r.p.m.: 2790 Nm/min (2050 ft.lb/min)
1000 r.p.m.: 4250 Nm/min (3125 ft.lb/min)
1500 r.p.m.: 5508 Nm/min (4050 ft.lb/min)
3000 r.p.m.: 7923 Nm/min (5826 ft.lb/min)



TYPICAL BM400 MOTOR
MOUNTING CLUTCH
WITH TIMING PULLEY

Electrical Note

If not using a Clark Power Unit, always connect a 0.22 mfd 1000v. capacitor permanently across the clutch or brake coil to protect the control switch contacts.

CLARK ELECTRIC CLUTCH AND CONTROLS Ltd

28 Victory Park, Trident Close, Medway City Estate, Rochester, Kent, ME2 4ER
Tel.: +44 (0)1634 297408 Fax.: +44 (0)1634 739136 e-mail: sales@clarkelectric.co.uk